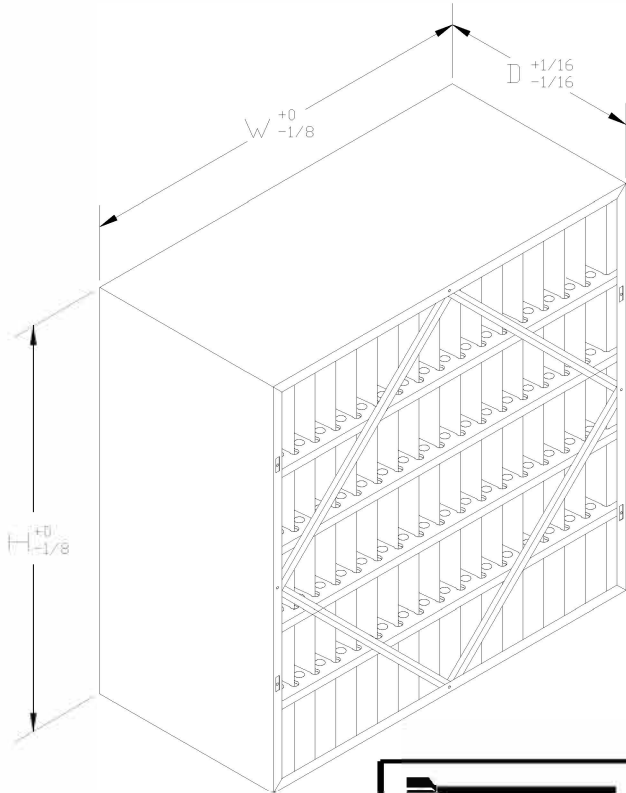


Model Number*	Nominal Size (Inches) H x W x D	Actual Size (Inches) H x W x D	Rate Air Flow (CFM)	Initial Resistance (IN W.G.)				Media Area (Square Feet)
				90-95%	80-85%	60-65%	50-55%	
AC_S	20 X 20 x 12	19-3/8 x 19-3/8 x 11-1/2	1400	.65	.38	.26	.24	39
AC_S	24 x 12 x 12	23-3/8 x 11-3/8 x 11-1/2	1000	.65	.38	.26	.22	28
AC_S	24 x 20 x 12	23-3/8 x 19-3/8 x 11-1/2	1650	.65	.38	.26	.24	47
AC_S	24 x 24 x 12	23-3/8 x 23-3/8 x 11-1/2	2000	.65	.38	.26	.24	58
AC_S	20 x 20 x 6	19-3/8 x 19-3/8 x 5-7/8	700	.50	.23	.15	.08	20
AC_S	24 x 12 x 6	23-3/8 x 11-3/8 x 5-7/8	500	.50	.23	.15	.10	15
AC_S	24 x 24 x 6	23-3/8 x 23-3/8 x 5-7/8	1000	.50	.23	.15	.08	30

* Insert efficiency code: 95 = 90-95%, 85 = 80-85%, 60 = 60-65%, 50 = 50-55%
(Example: AC95S 24x24x12 is 90-95%)



STANDARD CONSTRUCTION

1. High Efficiency Synthetic Filter Media
2. Expanded Metal Pleat Supports
3. Adhesive Seal on All Four Media Pack Sides
4. 24 Gauge Galvanized Steel Cell Sides
5. Plastic Fingers Maintain Pleat Spacing
6. Diagonal Support Braces on Air Entering and Air Leaving Sides for Additional Rigidity
7. (4) Retainer Holes for Spring Latches, Both Sides

NOTES

1. Average Efficiency, MERV
 - 90-95% ASHRAE 52.1-1992, MERV 14 ASHRAE 52.2-1999
 - 80-85% ASHRAE 52.1-1992, MERV 13 ASHRAE 52.2-1999
 - 60-65% ASHRAE 52.1-1992, MERV 11 ASHRAE 52.2-1999
 - 50-55% ASHRAE 52.1-1992, MERV 10 ASHRAE 52.2-1999
2. Final Resistance: 1.5" W.G.
3. Rated Velocity 12" Deep - 500 FPM
4. Rated Velocity 6" Deep - 250 FPM
5. Class 2 Filter Per U.L. Standard 900
5. Maximum Operating Temperature: 180 deg. F
7. Optional Gasket Available
 - U - Upstream Gasket (Ex: AC95S-U 24x24x12)
 - D - Downstream Gasket
 - UD - Both Sides
8. Special Sizes Not Available

Purolator
a CLAIRBROOK company
 Air Cleaning Specialists
 11088 Gravois Industrial Ct.
 Saint Louis, MO 63128
 (866) 455-2128
 purolatorfilters.com

**CONTACT FACTORY TO
 VERIFY REVISION LEVEL**

TOLERANCES UNLESS OTHERWISE SPECIFIED	
FRACTIONAL	-
DECIMAL	-
ANGLES	-
ALL DIMENSIONS IN INCHES	

DRAWING NAME AERO CELL S			
APPROVED BY <i>K. Quinn</i>	SPECIFICATION NO. MKT-P-00130	PAGE 1 OF 1	
SCALE NONE	DWG. SIZE A	REVISION NEW	REVISION DATE 1-21-08
<small>CONFIDENTIAL - DO NOT COPY. THIS MATERIAL IS TRADE SECRET AND PROPRIETARY BEING EXCLUSIVELY OWNED BY CLC AIR. THE EXPRESSION OF THE INFORMATION CONTAINED HEREIN IS PROTECTED UNDER FEDERAL COPYRIGHT LAWS AND ALL COPYING IS PROHIBITED AND MAY BE SUBJECT TO CRIMINAL PENALTIES.</small>			