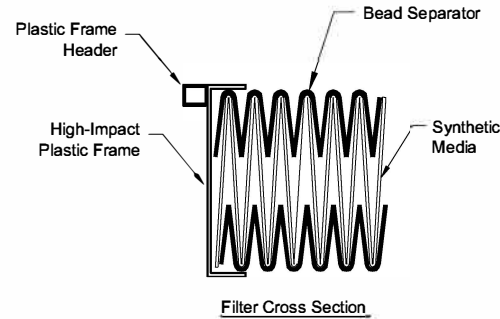
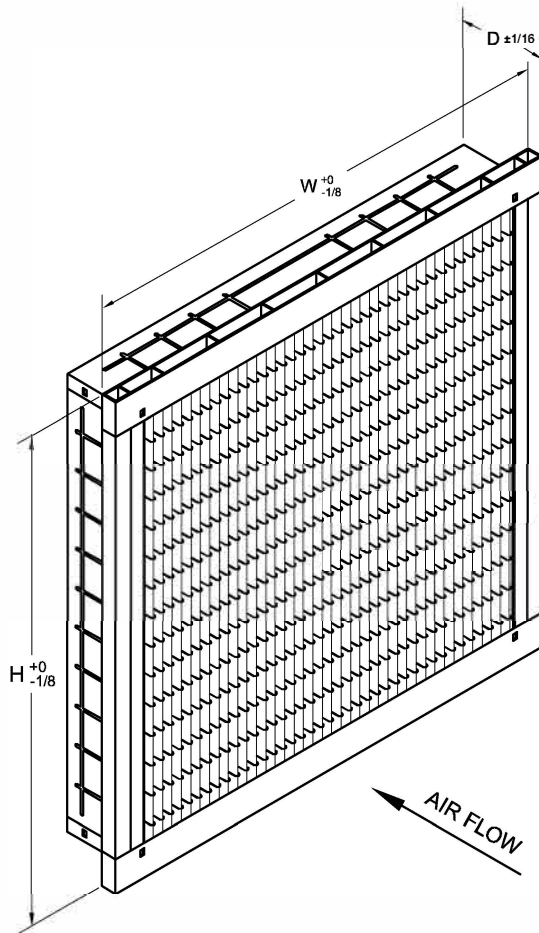


| MODEL NUMBER | NOMINAL SIZE (INCH) WXHXD | ACTUAL SIZE (INCH) WXHXD | RATED AIR FLOW (CFM) | INITIAL RESISTANCE (IN. W.G.) | MEDIA AREA (SQUARE FEET) | MERV |
|--------------|---------------------------|--------------------------|----------------------|-------------------------------|--------------------------|------|
| DR65-H-4404  | 24X24X4                   | 23-3/8X23-3/8X3-3/4      | 2000                 | 0.29                          | 53                       | 11   |
| DR65-H-0404  | 20X24X4                   | 19-3/8X23-3/8X3-3/4      | 1650                 | 0.29                          | 45                       | 11   |
| DR65-H-0004  | 20X20X4                   | 19-3/8X19-3/8X3-3/4      | 1400                 | 0.29                          | 36                       | 11   |
| DR65-H-2404  | 12X24X4                   | 11-3/8X23-3/8X3-3/4      | 1000                 | 0.29                          | 25                       | 11   |



**STANDARD CONSTRUCTION**

- 100% Synthetic Media
- E-Pleat Technology Pleat Pack  
Embossed Media with Adhesive Bead Separators
- High-Impact Plastic Frame Panels
- Foamed Hot Melt Sealant
- 3/4" singel header air entering side
- Gasket Optional

**NOTES**

- Testing per ASHRAE 52.2-2012  
Tested At 492 FPM on 24x24 Nominal Size
- Final Resistance: 1.5" W.G.
- Rated Velocity - 500 FPM
- Maximum Operating Temperature: 170 deg. F (76 deg. C)
- Classified per UL Standard 900 for Flammability
- Special Sizes Not Available

**Purolator**  
Air Cleaning Specialists  
11088 Gravois Industrial Ct.  
St. Louis, MO 63128  
(866) 455-2128  
purolatorfilters.com

CONTACT FACTORY TO  
VERIFY REVISION LEVEL

**TOLERANCES  
UNLESS OTHERWISE SPECIFIED**

FRACTIONAL -  
DECIMAL -  
ANGLES -

ALL DIMENSIONS IN INCHES

DRAWING NAME

**DOMINATOR 4" SINGLE HEADER**

APPROVED BY

*K. O. [Signature]*

SPECIFICATION NO.

MKT-P-00585

PAGE

1 OF 1

SCALE

NONE

DWG. SIZE

A

REVISION

D

REVISION DATE

10-28-14

CONFIDENTIAL - DO NOT COPY. THIS MATERIAL IS TRADE SECRET AND PROPRIETARY BEING EXCLUSIVELY OWNED BY CLC AIR. THE EXPRESSION OF THE INFORMATION CONTAINED HEREIN IS PROTECTED UNDER FEDERAL COPYRIGHT LAWS AND ALL COPYING IS PROHIBITED AND MAY BE SUBJECT TO CRIMINAL PENALTIES.