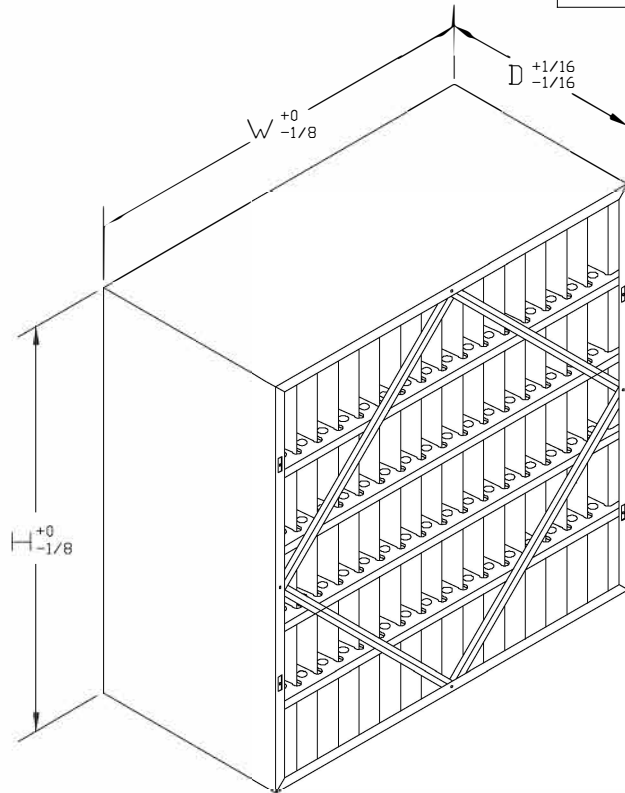


Model Number	Nominal Size (Inches) W x H x D	Actual Size (Inches) W x H x D	Rated Air Flow (CFM)	Initial Resistance (In. W.G.)	MERV	Media Area (Square Feet)
DC95	24 x 24 x 6	23-3/8 x 23-3/8 x 5-7/8	1000	0.50	15	29
DC95	20 x 24 x 6	19-3/8 x 23-3/8 x 5-7/8	850	0.50	15	24
DC95	20 x 24 x 6	19-3/8 x 19-3/8 x 5-7/8	700	0.50	15	20
DC95	12 x 24 x 6	11-3/8 x 23-3/8 x 5-7/8	500	0.50	15	15
DC85	24 x 24 x 6	23-3/8 x 23-3/8 x 5-7/8	1000	0.47	14	29
DC85	20 x 24 x 6	19-3/8 x 23-3/8 x 5-7/8	850	0.47	14	24
DC85	20 x 24 x 6	19-3/8 x 19-3/8 x 5-7/8	700	0.47	14	20
DC85	12 x 24 x 6	11-3/8 x 23-3/8 x 5-7/8	500	0.47	14	15
DC70	24 x 24 x 6	23-3/8 x 23-3/8 x 5-7/8	1000	0.20	12	29
DC70	20 x 24 x 6	19-3/8 x 23-3/8 x 5-7/8	850	0.20	12	24
DC70	20 x 24 x 6	19-3/8 x 19-3/8 x 5-7/8	700	0.20	12	20
DC70	12 x 24 x 6	11-3/8 x 23-3/8 x 5-7/8	500	0.20	12	15



#### STANDARD CONSTRUCTION

1. High Efficiency Synthetic Filter Media
2. Expanded Metal Pleat Supports
3. Adhesive Seal on All Four Media Pack Sides
4. 24 Gauge Galvanized Steel Cell Sides
5. Plastic Fingers Maintain Pleat Spacing
6. Diagonal Support Braces on Air Entering and Air Leaving Sides for Additional Rigidity
7. (4) Retainer Holes for Spring Latches, Both Sides

#### NOTES

1. MERV per ASHRAE 52.2-2007  
Tested at 492 FPM on 24x24x12 Face Size
2. Final Resistance: 1.5" W.G.
3. Rated Velocity - 250 FPM
4. Classified per U.L. Standard 900 for Flammability
5. Maximum Operating Temperature: 180 deg. F
6. Optional Gasket Available, note in the model number  
U - Upstream Gasket (Ex: DC95-U 24x24x6)  
D - Downstream Gasket  
UD - Both Sides
7. Special Sizes Not Available


**Air Cleaning Specialists**  
 11088 Gravois Industrial Ct.  
 St. Louis, MO 63128  
 (866) 455-2128  
 purolatorfilters.com

**CONTACT FACTORY TO  
VERIFY REVISION LEVEL**

#### TOLERANCES UNLESS OTHERWISE SPECIFIED

FRACTIONAL     -  
 DECIMAL         -  
 ANGLES           -

ALL DIMENSIONS IN INCHES

DRAWING NAME

**DEFIANT CELL 6" BOX**

APPROVED BY

*K. Quinn*

SPECIFICATION NO.

MKT-P-00621

PAGE

1 OF 1

SCALE

NONE

DWG. SIZE

A

REVISION

NEW

REVISION DATE

08-07-12

CONFIDENTIAL - DO NOT COPY. THIS MATERIAL IS TRADE SECRET AND PROPRIETARY BEING EXCLUSIVELY OWNED BY CLC AIR. THE EXPRESSION OF THE INFORMATION CONTAINED HEREIN IS PROTECTED UNDER FEDERAL COPYRIGHT LAWS AND ALL COPYING IS PROHIBITED AND MAY BE SUBJECT TO CRIMINAL PENALTIES.