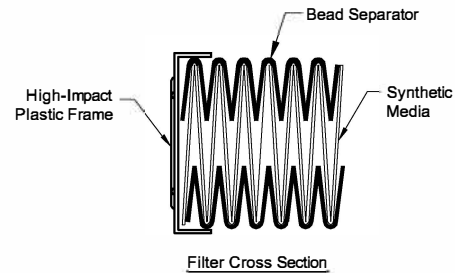
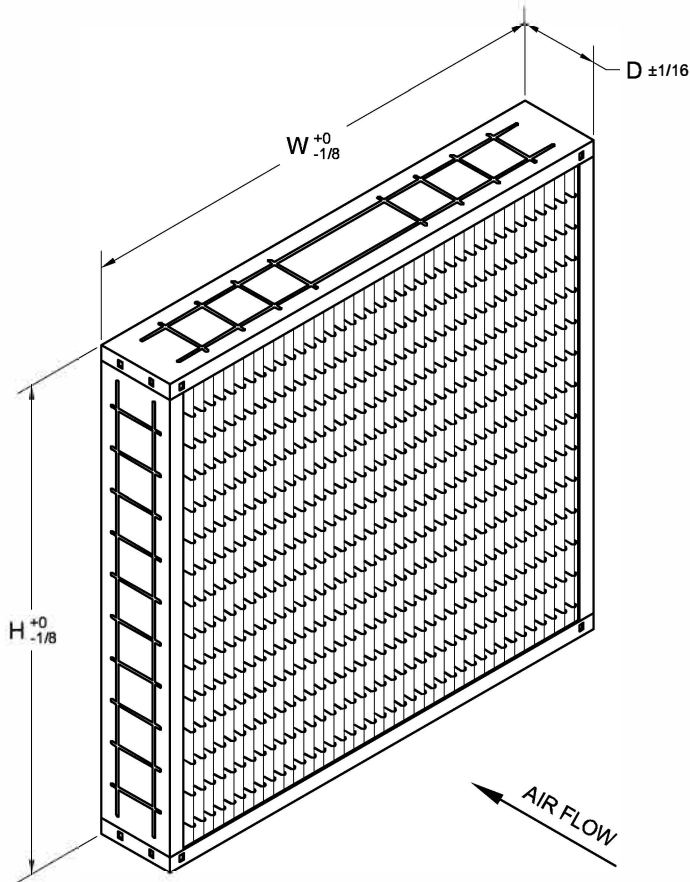


MODEL NUMBER	NOMINAL SIZE (INCHES) WXHXD	NOMINAL SIZE (INCHES) WXHXD	RATED AIR FLOW (CFM)	INITIAL RESISTANCE (IN. W.G)	MEDIA AREA (SQUARE FEET)	MERV
DR65-4404	24X24X4	23-3/8X23-3/8X3-3/4	2000	0.19	49	11
DR65-0504	20X25X4*	19-3/8X24-3/8X3-3/4*	1750	0.19	42	11
DR65-0404	20X24X4	19-3/8X23-3/8X3-3/4	1650	0.19	40	11
DR65-0004	20X20X4	19-3/8X19-3/8X3-3/4	1400	0.19	33	11
DR65-6504	16X25X4*	15-3/8X24-3/8X3-3/4*	1400	0.19	33	11
DR65-6004	16X20X4	15-3/8X19-3/8X3-3/4	1100	0.19	27	11
DR65-2404	12X24X4	11-3/8X23-3/8X3-3/4	1000	0.19	23	11

\* Reverse Pleat Direction on 25" Height Product



**STANDARD CONSTRUCTION**

- 100% Synthetic Media
- E-Pleat Technology Pleat Pack  
Embossed Media with Adhesive Bead Separators
- High-Impact Plastic Frame Panels
- Foamed Hot Melt Sealant
- Gasket Optional

**NOTES**

- Testing per ASHRAE Standard 52.2-2012  
Tested at 492 FPM on 24x24 Face Size
- Final Resistance: 1.5" W.G.
- Rated Velocity - 500 FPM
- Maximum Operating Temperature: 170 deg. F (76 deg. C)
- Classified per UL Standard 900 for Flammability
- Special Sizes Not Available

**Purolator**  
Air Cleaning Specialists  
11088 Gravois Industrial Ct.  
St. Louis, MO 63128  
(866) 455-2128  
purolatorfilters.com

CONTACT FACTORY TO  
VERIFY REVISION LEVEL

**TOLERANCES  
UNLESS OTHERWISE SPECIFIED**

FRACTIONAL -  
DECIMAL -  
ANGLES -

ALL DIMENSIONS IN INCHES

DRAWING NAME

**DOMINATOR 4" BOX**

APPROVED BY

*K. Quinn*

SPECIFICATION NO.

MKT-P-00527

PAGE

1 OF 1

SCALE

NONE

DWG. SIZE

A

REVISION

F

REVISION DATE

07-28-14

CONFIDENTIAL - DO NOT COPY. THIS MATERIAL IS TRADE SECRET AND PROPRIETARY BEING EXCLUSIVELY OWNED BY CLC AIR. THE EXPRESSION OF THE INFORMATION CONTAINED HEREIN IS PROTECTED UNDER FEDERAL COPYRIGHT LAWS AND ALL COPYING IS PROHIBITED AND MAY BE SUBJECT TO CRIMINAL PENALTIES.